



2 DRAWER RETRO/VINTAGE STYLE MID-BOX - BLUE WITH WHITE STRIPES

MODEL NO: **AP28102BWS**

Thank you for purchasing a Sealey product. Manufactured to a high standard, this product will, if used according to these instructions, and properly maintained, give you years of trouble free performance.

IMPORTANT: PLEASE READ THESE INSTRUCTIONS CAREFULLY. NOTE THE SAFE OPERATIONAL REQUIREMENTS, WARNINGS & CAUTIONS. USE THE PRODUCT CORRECTLY AND WITH CARE FOR THE PURPOSE FOR WHICH IT IS INTENDED. FAILURE TO DO SO MAY CAUSE DAMAGE AND/OR PERSONAL INJURY AND WILL INVALIDATE THE WARRANTY. KEEP THESE INSTRUCTIONS SAFE FOR FUTURE USE.



Refer to
instruction
manual

1. SAFETY

- WARNING!** Ensure Health & Safety, local authority, and general workshop practice regulations are adhered to when using this product.
- WARNING!** Use caution when handling and assembling the metal components. The metal may have sharp edges or corners, the use of protective gloves is recommended.
- DO NOT** open more than one drawer at a time.
- DO NOT** step on the drawers.
- DO NOT** let children play with the roll cab or top chest.
- Ensure all drawers are fully closed and the self locking catch is activated, before moving the toolbox.
- Secure the brakes when rollcab is in the desired position.
- Keep the work area clean, uncluttered and ensure there is adequate lighting.
- Keep the mounting frame clean and tidy in accordance with good workshop practice.
- DO NOT** use in damp work areas.
- WARNING!** The warnings, cautions and instructions referred to in this instruction manual cannot cover all possible conditions and situations that may occur. It must be understood that common sense and caution are factors which cannot be built into this product, but must be applied by the operator.

2. INTRODUCTION

Retro style mid-box with modern day functionality. Ball-bearing slide drawers. Stamped drawers with rolled edges for greater rigidity. 'Lift & Latch' drawer pulls prevent inadvertent opening. Drawers are fitted with drawer liners and lock on one key turn. Retro blue colour scheme with vinyl white stripes. For use with Model No. AP28104BWS Topchest and Model No. AP28204BWS Rollcab to make a complete retro style stack unit.

3. SPECIFICATION

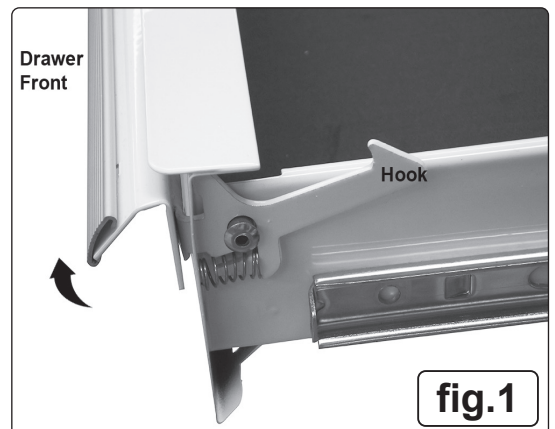
Model no: **AP28102BWS**
 Dimensions (W x D x H): 710 x 460 x 270mm
 Medium drawer (x2): 570 x 400 x 60mm

4. ASSEMBLY

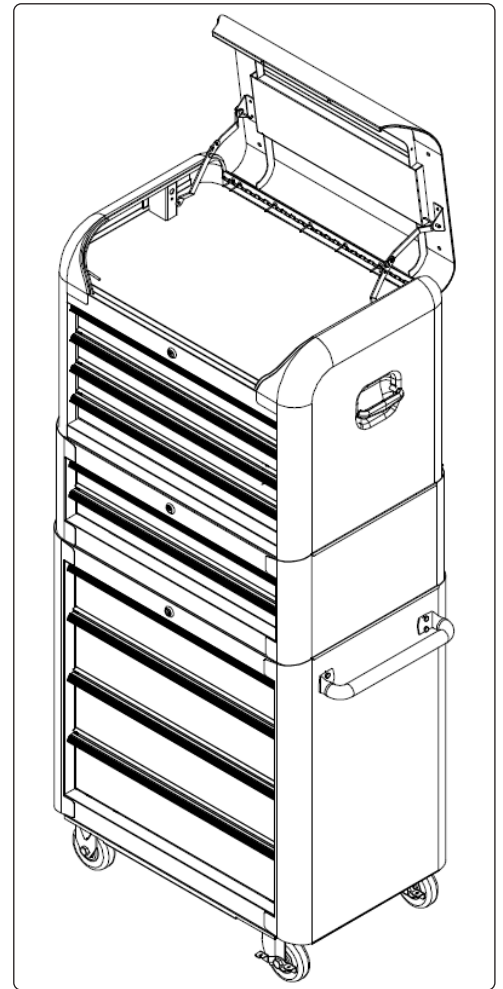
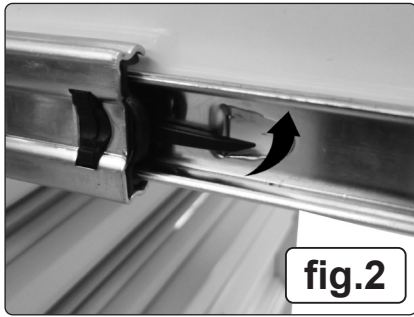
- 4.1. CONNECTION TO TOP CHEST AND ROLL CAB see fig.4**
- 4.1.1. Place the mid-box onto the roll cab. Fit the connectors into the rectangular holes and fasten with the screws provided.
- 4.1.2. Place the top chest onto top of the mid-box and fit the connectors into the top chest and fasten with the screws provided.

5. OPERATION

- 5.1. TO OPEN DRAWERS**
- 5.1.1. To open: lift the drawer front whilst pulling it out (fig.1).
- 5.1.2. To close: shut the drawer firmly until the latch engages.
- 5.1.3. If the drawer does not latch, the hook (fig.1) may be misaligned or binding. Bend the hook gently until it is parallel to the drawer edge and engages when closed.
- 5.2. TO REMOVE DRAWERS**
- 5.2.1. Pull drawer out almost fully.
- 5.2.2. Locate the black locking levers (figs. 2 & 3).
- 5.2.3. Facing the drawer; lift one lever up (fig.2), and push the other lever down (fig.3).
- 5.2.4. With both levers deployed, the drawer can be pulled out from the slides.
- 5.3. TO REPLACE DRAWERS**
- 5.3.1. Extend the drawer runners from the cabinet.
- 5.3.2. Engage the slides on either side of the drawer carefully into the runners.



5.3.3. Push the drawer closed squarely until the drawer is closed fully, engaging the locking levers as it goes.



ENVIRONMENT PROTECTION



Recycle unwanted materials instead of disposing of them as waste. All tools, accessories and packaging should be sorted, taken to a recycling centre and disposed of in a manner which is compatible with the environment. When the product becomes completely unserviceable and requires disposal, drain any fluids (if applicable) into approved containers and dispose of the product and fluids according to local regulations.



REGISTER YOUR PURCHASE HERE

Note: It is our policy to continually improve products and as such we reserve the right to alter data, specifications and component parts without prior notice.

Important: No Liability is accepted for incorrect use of this product.

Warranty: Guarantee is 120 months from purchase date, proof of which is required for any claim.

Sealey Group, Kempson Way, Suffolk Business Park, Bury St Edmunds, Suffolk. IP32 7AR



01284 757500



sales@sealey.co.uk



www.sealey.co.uk